

RECESSED SANDWICH HOLD STATION



18024208 Shown

Item #:
Project:
Quantity:

MODEL NUMBER

- 18024208 Recessed Sandwich Station 120V-60Hz
41"W x 34"D x 36"H
- 18024310 Recessed Sandwich Station 120V-60Hz
52"W x 34"D x 36"H
- 18024344 Recessed Sandwich Station
240V-50 /60Hz 41"W x 34"D x 36"H

PRODUCT OVERVIEW

Sandwich Holding Station brings hot food, condiments, napkins, trays, and bags into one pick up point. Heated holding area can be divided into lanes depending on product mix.

STANDARD PRODUCT FEATURES

- All Stainless Steel Construction
- Adjustable S/S Bullet Feet
- Heat Chute Dims 38 "x 17"
- Heat Chute Heated Area (Sq In) 646"
- Sandwich Holding Capacity (18-21)
- Chute Surface Temp Spec 175F +/- 10F
- Black Anodized Aluminum Pan
- (2) Removable Rod Holders
- (2) Stainless Steel End Dividers
- (6) Stainless Steel Rods
- Tray Slide Area 16" x 52"
- 3 Compartment Bag Dispenser
- Serving Tray Storage Shelf
- Removable Bottom Shelf for Crescor Unit(rear only)
- Digital Temperature Controller

RECESSED SANDWICH HOLD STATION

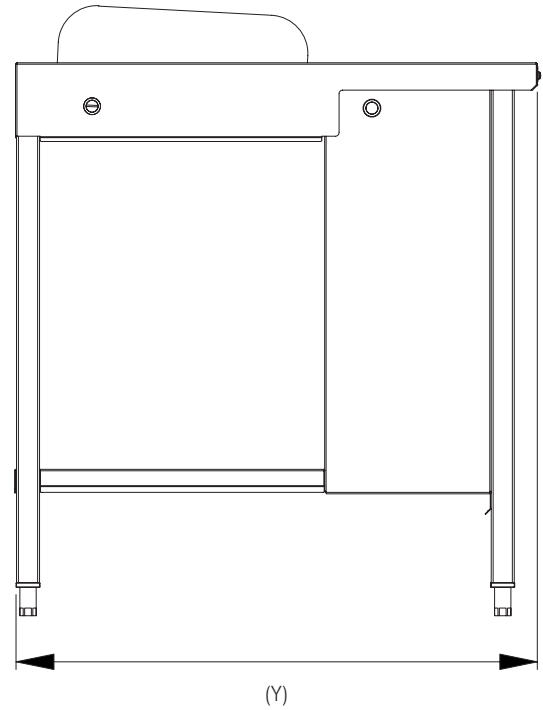
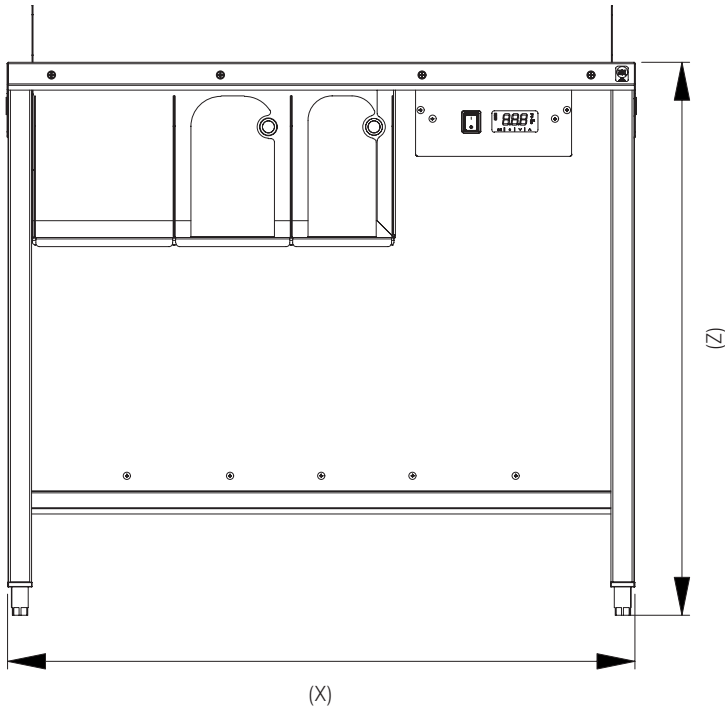


RECESSED SANDWICH HOLD STATION

18024208

FRONT VIEW

SIDE VIEW



DIMENSIONS

	18024208		18024310		18024344	
Width (X)	41.00"	1041.4 mm	52.00"	1320.8 mm	41.00"	1041.4 mm
Depth (Y)	34.00"	863.6 mm	34.00"	863.6 mm	34.00"	863.6 mm
Height (Z)	36.00"	914.4 mm	36.00"	914.4 mm	36.00"	914.4 mm

ELECTRICAL

	18024208	18024310	18024344
Voltage/Frequency/Phase	120V/60Hz/1Ph	120V/60Hz/1Ph	240V/50-60Hz/1Ph
Amp Load	4.2 Amp load draw	4.2 Amp load draw	2.1 Amp load draw

 **RECYCLE DOCUMENTS AND EQUIPMENT RESPONSIBLY**

© 2022 Franke Foodservice Systems Americas, Inc. This media is the confidential and proprietary property of Franke Foodservice Systems, Inc. and shall not be reproduced in any form of media without the express written permission of a Franke representative. Due to continuous product development, Franke reserves the right to make changes in design and specifications without prior notice. Under license Franke Technology and Trademark Ltd., Switzerland. Printed in USA. Document Part # 19018073, Rev. A, June 17, 2022

Make it wonderful

