

TUC-27-HC

 Undercounter Foodservice Refrigerator, 1 Solid Swing Door



| Dimensions | | Build | | Technical | |
|------------------------------------|---|-----------------------|--|-----------------------------|--|
| External Width (mm) | 702 | Door Description | 1 Solid Swing Door | Temperature Holding | 0.5 : 3.3°C |
| External Depth (mm) | 766 | Door Opening | Right (standard) or Left. Field Reversible. | Refrigerant | R290 |
| External Height (mm) | 839 | Exterior Construction | Stainless steel front & countertop, aluminium sides & rear | Voltage / Frequency / Phase | 220-240V/50-60Hz/1 |
| Exclusions | Depth does not include 26 mm for rear bumpers. | Interior Construction | Clear coated aluminium, stainless steel base | Amps | 0.8 |
| Net Volume (Litres) | 143 | Air Intake Position | Front | Wattage | 184 |
| Gross Volume (Litres) | 184 | Ventilation Position | Front | Climate Class | 5 |
| Supplied Shelves | 2 | Clearance Required | Zero back and sides | Operating Statement | Heavy Duty: This appliance is intended for use in ambient temperatures up to 40°C. |
| Shelf Size (L x D mm) | One 590 x 488 + One 590 x 349 | Cord Length (Meters) | 2.13 | Testing Standard | EN 16825 |
| Internal Net Height (mm) | 630 | Standard w/ Locks | Standard | EEC | A |
| Unpackaged Weight (kg) | 78 | | | EEl | 20.9 |
| Packaged Weight (kg) | 89 | | | kWh/24hr | 1.23 |
| Packaged Dimensions (W x D x H mm) | 769 x 839 x 1207 | | | kWh/Annum | 451 |
| Supplied with | ø 64 mm castors (83 mm height) (reduced height option available, totals 810 mm) | | | Defrost Type | Auto |



Specifications subject to change without notice.
Chart dimensions rounded up to the next whole millimeter (inches rounded up to the 1/8")

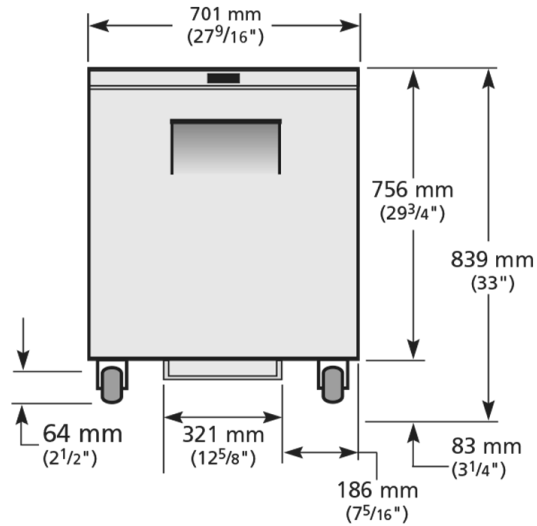
UK & Ireland [0800 783 2049](tel:08007832049)
EMEA [+41 61 563 07 05](tel:+41615630705)
Australia [+61 2 9619 9999](tel:+61296199999)

TfIUK@truemfg.com
TrueCHCustomerService@truemfg.com
TrueRefAus@truemfg.com

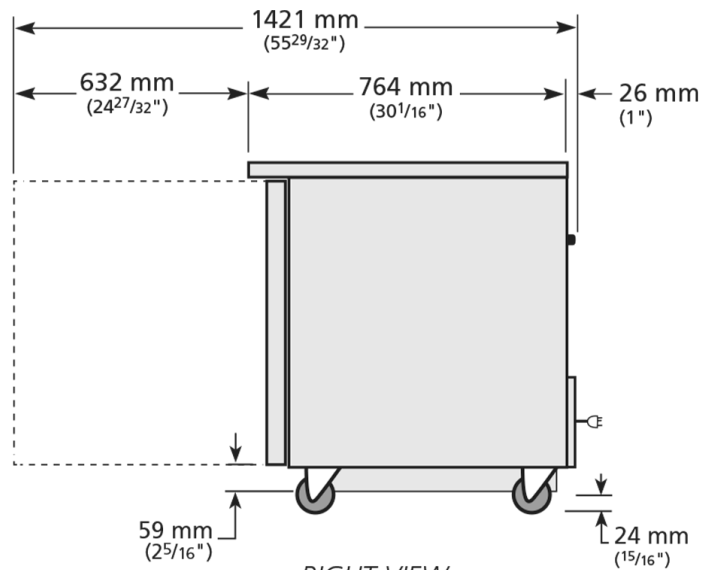


TUC-27-HC

🇬🇧 Undercounter Foodservice Refrigerator, 1 Solid Swing Door



ELEVATION



RIGHT VIEW



Specifications subject to change without notice.
Chart dimensions rounded up to the next whole millimeter (inches rounded up to the 1/8")

UK & Ireland 0800 783 2049
EMEA +41 61 563 07 05
Australia +61 2 9619 9999

TfIUK@truemfg.com
TrueCHCustomerService@truemfg.com
TrueRefAus@truemfg.com

