



T&S BRASS AND BRONZE WORKS, INC.
 2 Saddleback Cove / P.O. Box 1088
 Travelers Rest, SC 29690

Model No.
B-0231

Item No.

Travelers Rest, SC: 800-476-4103 • Simi Valley, CA: 800-423-0150 • Fax: 864-834-3518 • www.tsbrass.com



ADA Compliant

This Space for Architect/Engineer Approval

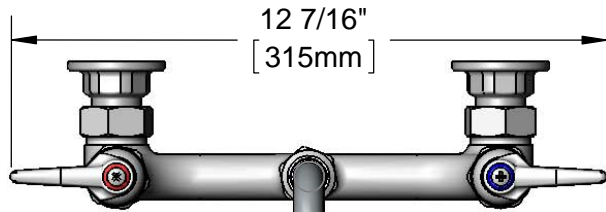
Job Name _____ Date _____

Model Specified _____ Quantity _____

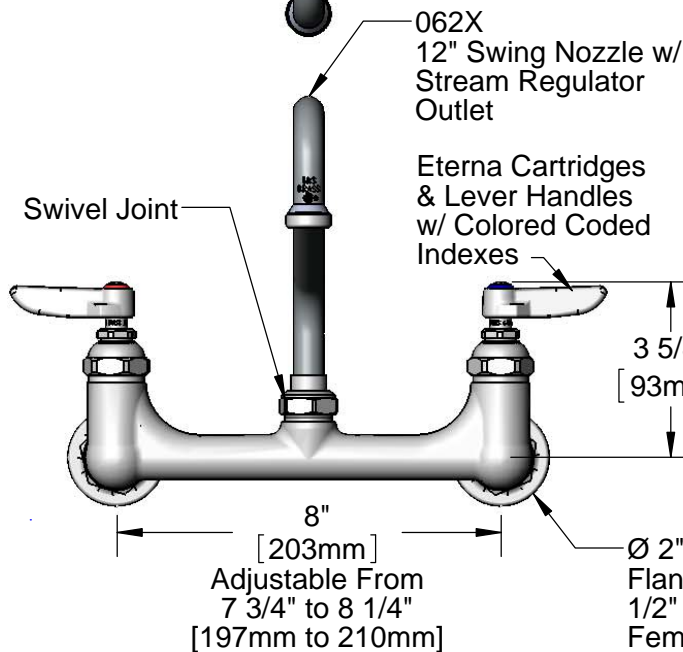
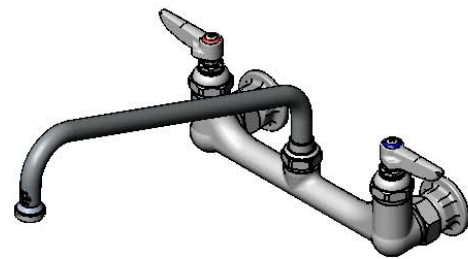
Customer/Wholesaler _____

Contractor _____

Architect/Engineer _____



12 7/16"
 [315mm]



062X
 12" Swing Nozzle w/
 Stream Regulator
 Outlet

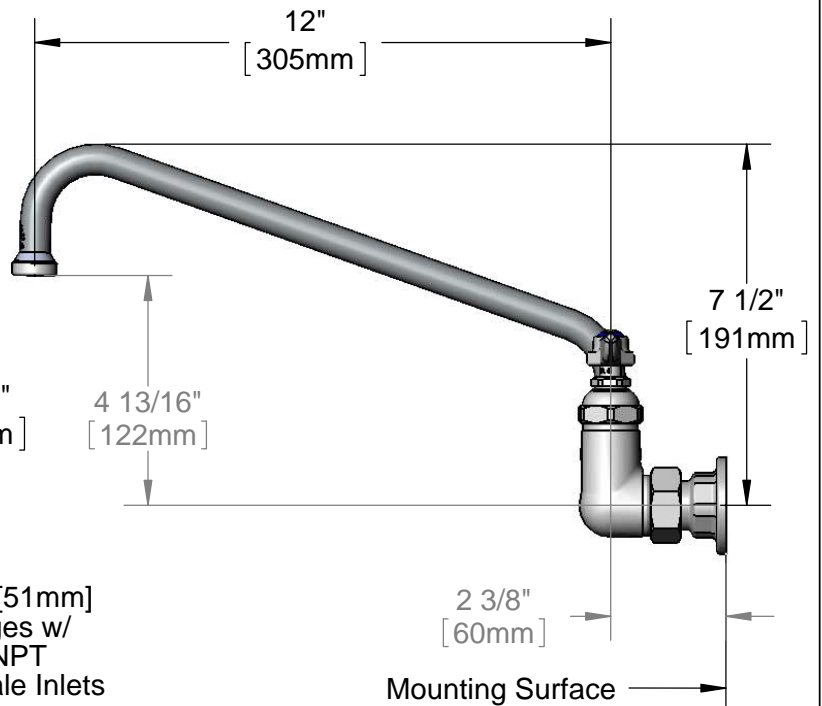
Eterna Cartridges
 & Lever Handles
 w/ Colored Coded
 Indexes

Swivel Joint

3 5/8"
 [93mm]

8"
 [203mm]
 Adjustable From
 7 3/4" to 8 1/4"
 [197mm to 210mm]

Ø 2" [51mm]
 Flanges w/
 1/2" NPT
 Female Inlets



12"
 [305mm]

4 13/16"
 [122mm]

7 1/2"
 [191mm]

2 3/8"
 [60mm]

Mounting Surface

Product Specifications:

8" Wall Mount Mixing Faucet w/ Eterna Cartridges, Lever Handles,
 12" Swing Nozzle & 1/2" NPT Female Inlets

Product Compliance:

ASME A112.18.1 / CSA B125.1
 NSF 61 - Section 9
 NSF 372 (Low Lead Content)
 ANSI A117.1 (ADA)



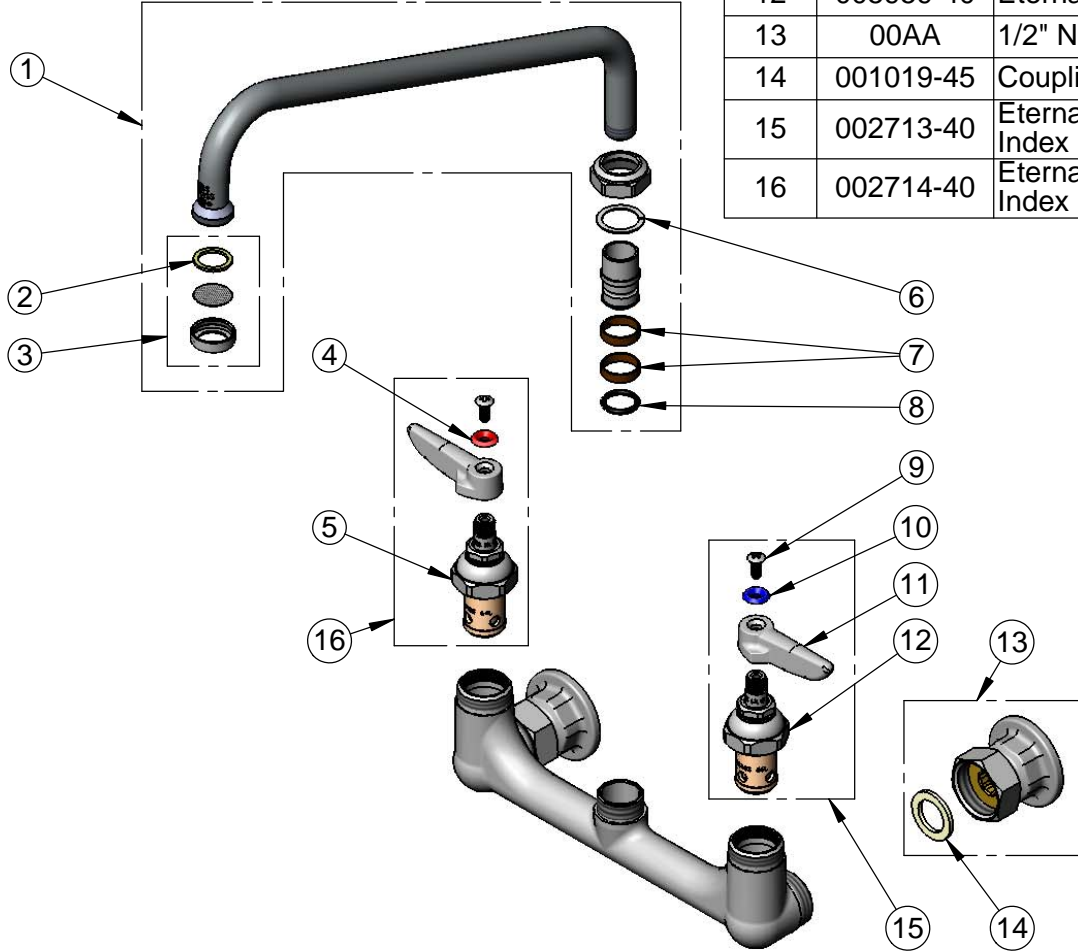
T&S BRASS AND BRONZE WORKS, INC.
 2 Saddleback Cove / P.O. Box 1088
 Travelers Rest, SC 29690

Model No.
B-0231

Item No.

Travelers Rest, SC: 800-476-4103 • Simi Valley, CA: 800-423-0150 • Fax: 864-834-3518 • www.tsbrass.com

ITEM NO.	SALES NO.	DESCRIPTION
1	062X	12" Swing Nozzle
2	001048-45	Nozzle Tip Washer
3	B-PT	Stream Regulator Outlet
4	001661-45	Red Index-HW
5	005960-40	Eterna Cartridge, RTC
6	009538-45	Swivel Washer
7	011429-45	Swivel Sleeves (2)
8	001074-45	O-Ring
9	000922-45	Lever Handle Screw
10	001660-45	Blue Index-CW
11	001638-45	Lever Handle
12	005959-40	Eterna Cartridge, LTC
13	00AA	1/2" NPT Female Eccentric Flange
14	001019-45	Coupling Nut Washer
15	002713-40	Eterna Cartridge, LTC w/ Handle, Index & Screw
16	002714-40	Eterna Cartridge, RTC w/ Handle, Index & Screw



Product Specifications:
8" Wall Mount Mixing Faucet w/ Eterna Cartridges, Lever Handles, 12" Swing Nozzle & 1/2" NPT Female Inlets

Product Compliance:
 ASME A112.18.1 / CSA B125.1
 NSF 61 - Section 9
 NSF 372 (Low Lead Content)
 ANSI A117.1 (ADA)